

■ Led Stripe Dimmer Lighting

■ RGB Led-Hidden Stripe Lighting



Led Stripe Dimmer Lighting illuminates all around the system and creates a warm atmosphere. Dimmable Soft Led Stripe lighting on sides within the structure provides intensity of day light (2800K) or cool white (5100K) options.

RGB Led-Hidden Stripe Lighting provides ultimate luxury by creating distinctive atmosphere in outdoor living areas with infinite colour options.

Operations

Fully Closed



Tilted



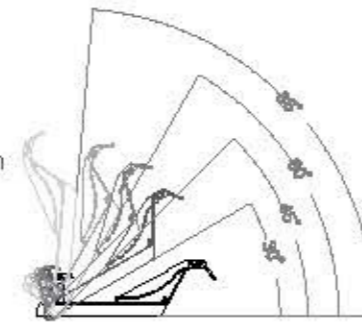
Tilted & Fully Closed



Louvre Closing Direction

LV15

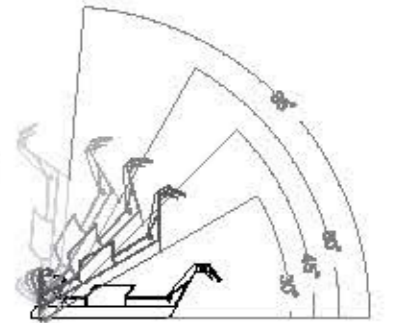
Closing direction of louvres



Motor

LV20

Closing direction of louvres



Motor

Tilting Directions



Flexible installation methods are available with wall mounting and free standing installations and they can even be served as a roof assembled to existing frameworks.



Self Standing
Single Module



Wall Mounting
Single Module



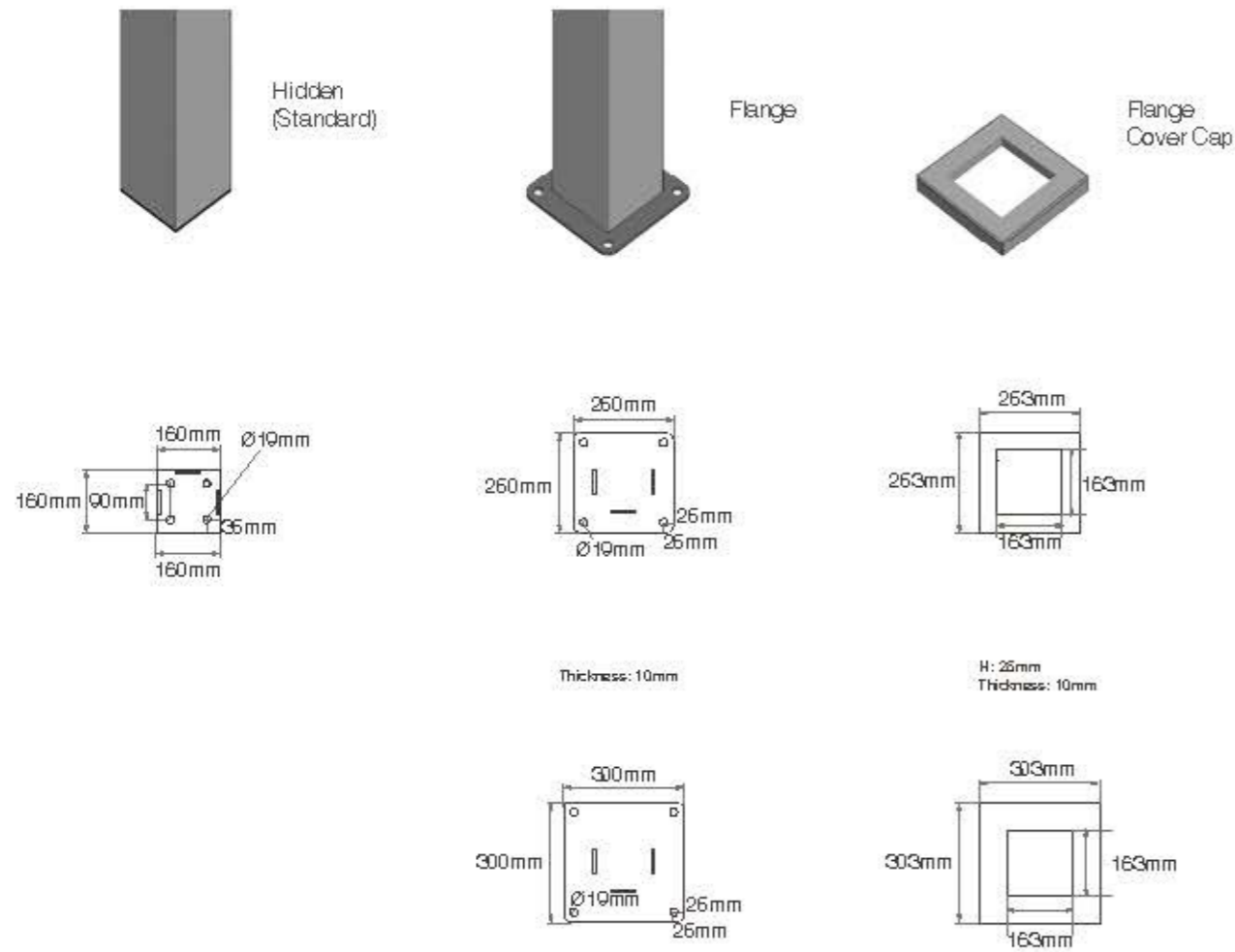
Self Standing
Multiple Modules



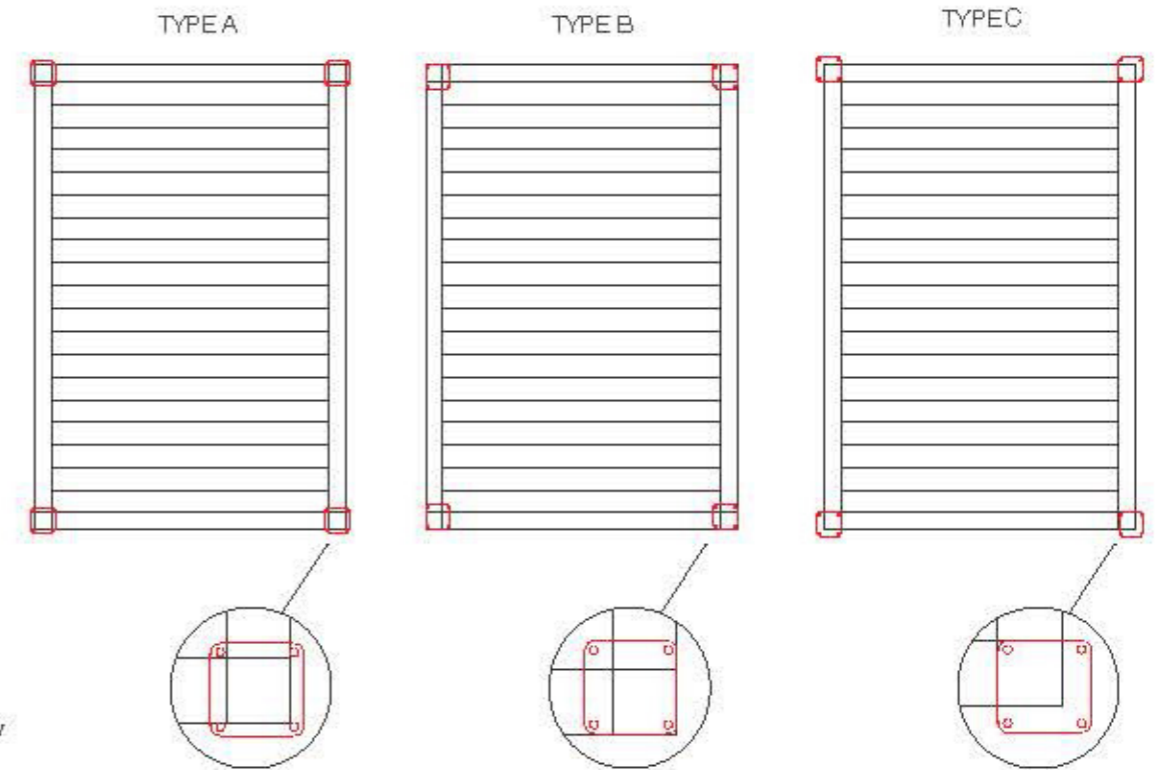
Wall Mounting
Multiple Modules



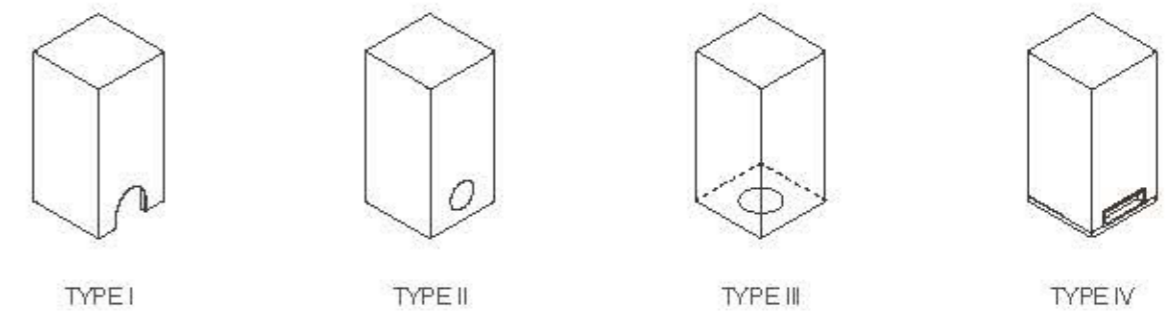
Column Base Options



Flange Positions

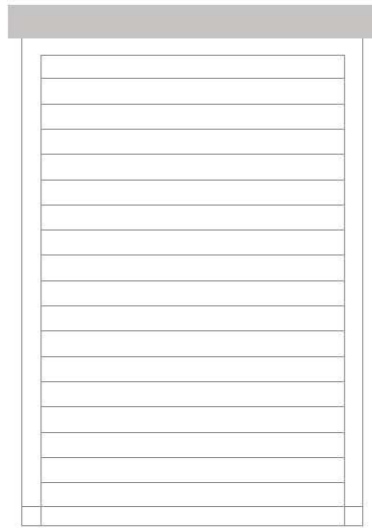


Drainage Types



Wall Installation Louvre Positions

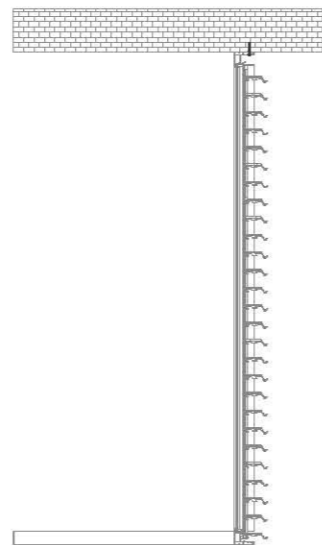
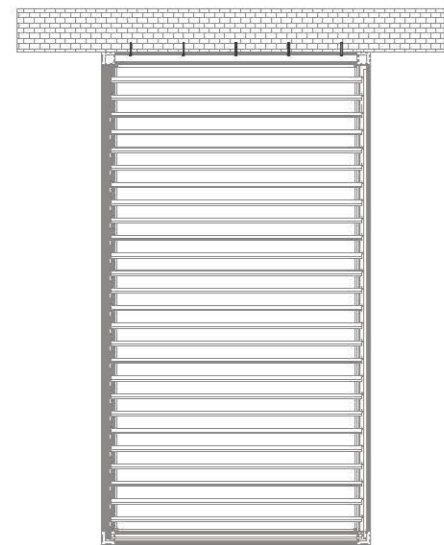
Parallel To Wall



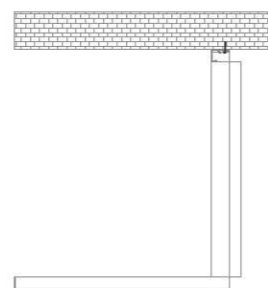
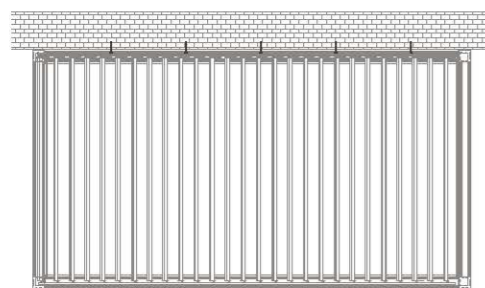
Vertical To Wall



Mounting

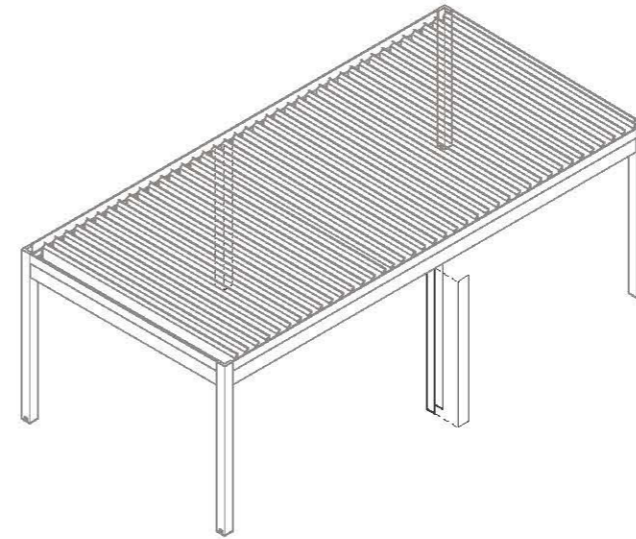


Easy wall mounting by screwing inox bolts through gutter profile. Any additional brackets are not required.



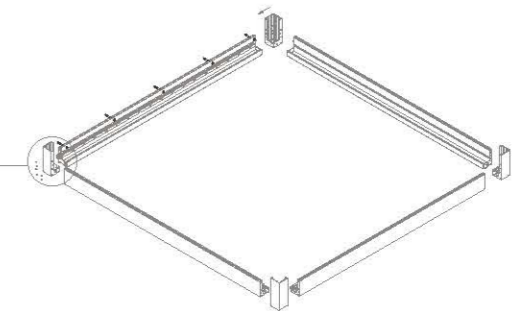
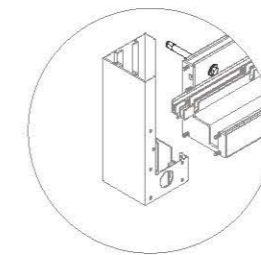
Support Column

Over 6862 mm (LV15), 6882 mm (LV20) projection dimension support columns need to be used.

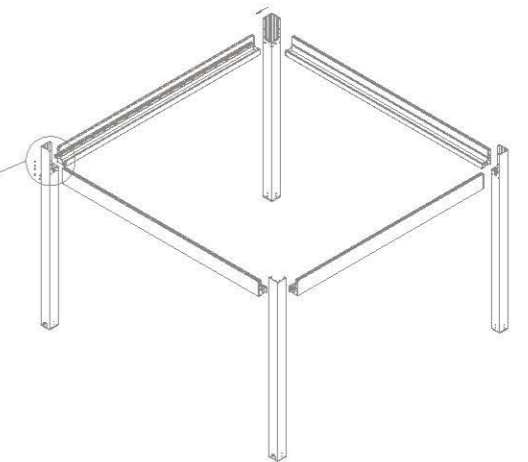
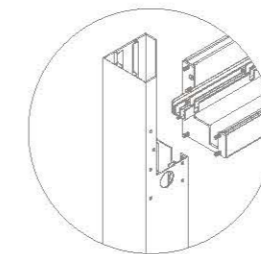


The CNC machine cut corner profiles provide easy gutter and column integration.

Wall Mounting

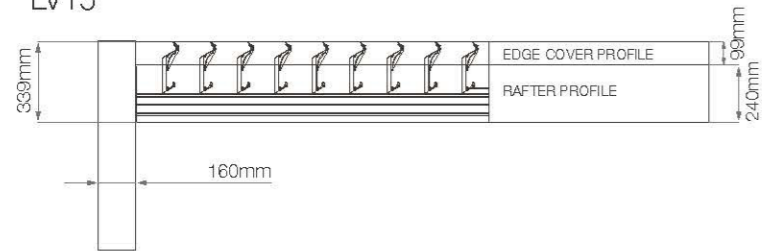


Self Standing

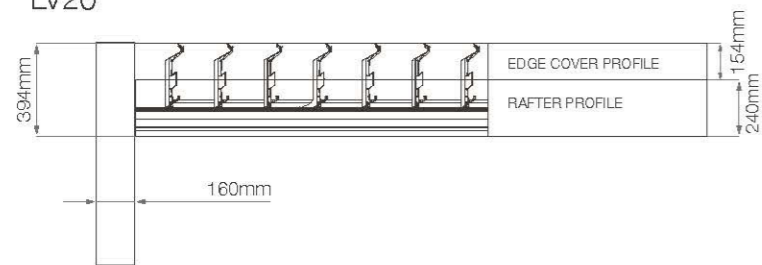


Side Elevation

LV15



LV20

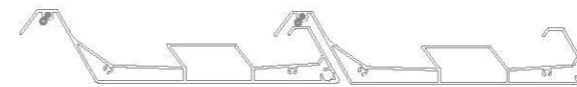


Louvre Stormguard Seal

Sealing solution stops water dripping over louvre gutter channel by providing a soft cushioning barrier between point of louvre junction.



Louvre LV15



Louvre LV20



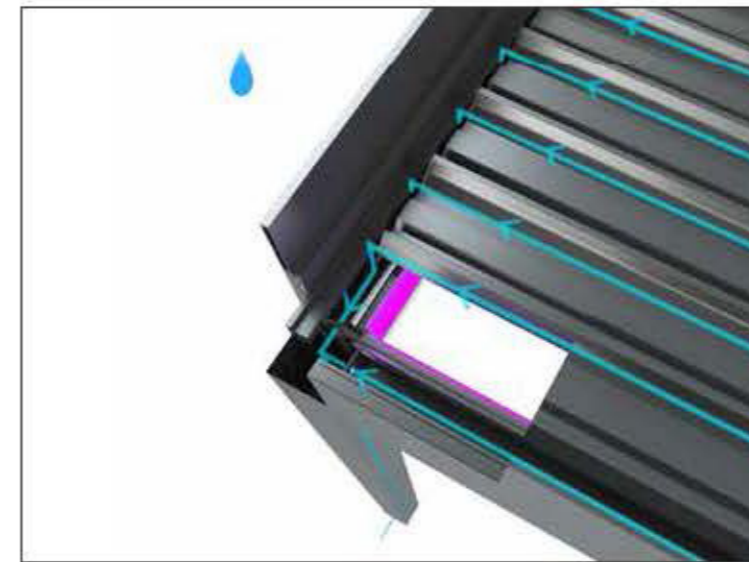
Slightly opening of louvers creates natural air flow for application areas.



Ensuring waterproof coverage when louvers are in fully closed position.



Protecting from sun exposure while ensuring air ventilation under the system.



Each channel on louvers drain the water through four sided gutters connected with columns.



LV15 LV20
Functional seal integrated on louver channels provides maximum protection from water dripping.

Closures



Sliding Glass System

The combination of the sliding glass system with Axis ensures efficacious protection from wind and rain. The aluminium frames which cover each glass panel provide maximum safety standards and practicality with elegance details.



Swind

Swind can be combined with also Axis system and offers adequate wind breaking with the option of total transparency by incorporating the function of balustrade. Thanks to led stripe dimmer lighting integrated side frame the fixed panel assigns distinctive appeal. The system is modular and completely flexible as there are no limits in the horizontal direction that can be used to surround spaces of all types and sizes.



Vertex Zip System

The minimalist, slimline, contemporary design of the zip system provides comfortable shade and protects against the UV rays. The system includes motorised aluminium structure, entirely powder-coated with stainless steel bolts and screws.



Sapphire Glass System

Sapphire can be adapted to Axis system and offers a maximum clear span that provides unobstructed view & minimalist style. The system is operated by just the touch of button.